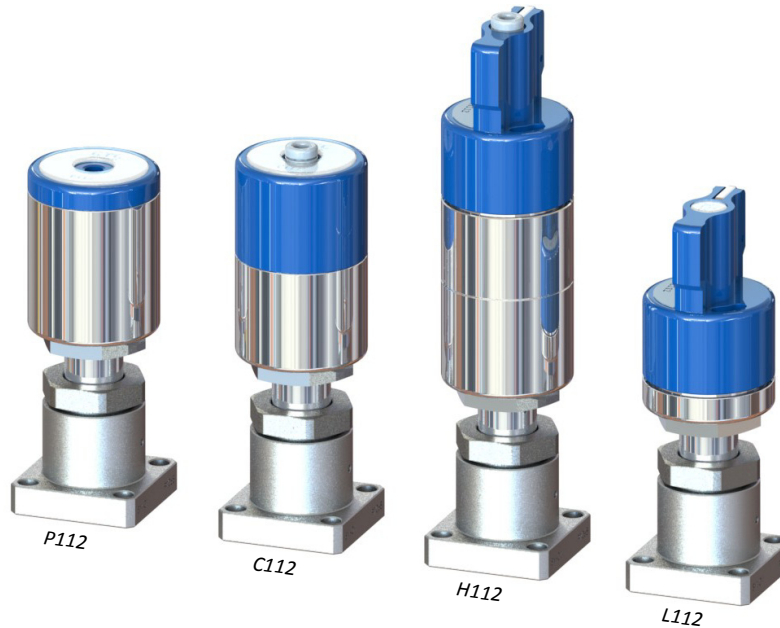


# UHP SM Diaphragm Valves

“Surface Mount, C-Seal” Series



## GTC Features

- *Springless Metal Diaphragm Design*
- *Serviceable, Modular Valves with Replaceable Seats*
- *Pneumatic N.C. Actuator with Pop-Up Status Indicator*
- *Manual Actuator with Metal Handle, Positive Stops, and LOTO*
- *Removable / Replaceable Actuators without exposing wetted areas to atmosphere*

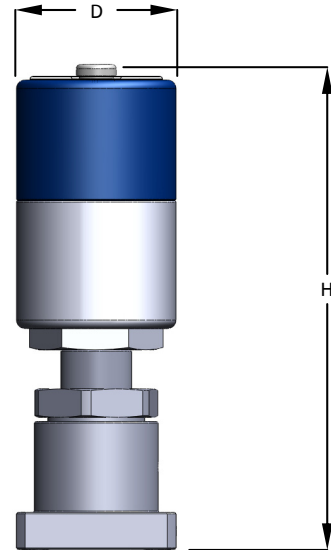
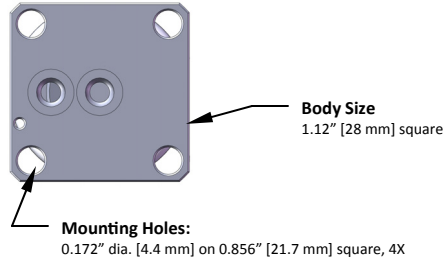
## Technical Data

Specification	P112	C112	H112	L112
Actuation Type	Pneumatic N.O.	Pneumatic N.C.	Hybrid - N.C. / 1/4 Turn	Manual 1/4 Turn, LOTO
Actuation Port	10-32	1/8" OD Tube	1/8" OD Tube	n/a
Actuation Pressure	75 to 120 psig	75 to 120 psig	75 to 120 psig	n/a
Operating Pressure	Vacuum to 150 psig	Vacuum to 250 psig	Vacuum to 250 psig	Vacuum to 500 psig
Proof / Burst Pressure	1000 / 2000 psig			
Flow Coefficient Cv	.23			
Internal Volume	0.7 cc			
Operating Temperature	-20° to 150° F (-29° to 66° C)			
Helium Leak Rate	1 x 10 <sup>-9</sup> scc/s He			
Wetted Surface Roughness	< 10 Ra Average			
Wetted Surface Chemistry	Cr/Fe ≥ 2.0, CrO/FeO ≥ 3.0			
Wetted Surface Body Material	316L VAR Stainless Steel			
Wetted Surface Other Material	Diaphragm: Elgiloy™, Seat: PCTFE (optional Vespel™)			



## Dimensions

Specification	P112	C112	H112	L112
Overall Height (H)	2.96" [75 mm]	3.37" [86 mm]	4.78 [121 mm]	3.32" [84 mm]
Actuator Diameter (D)	1.12" [28 mm]			



## Ordering Information:

## C112-SM-01-VS

### Actuator

- C112** - Normally Closed
- H112** - Normally Closed / 1/4 Turn, LOTO
- L112** - 1/4 Turn, LOTO
- P112** - Normally Open

### Body Series

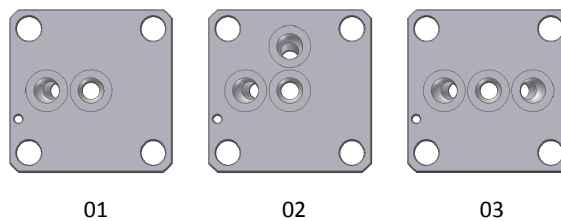
- SM** - Surface Mount, C-Seal

### Porting

### Options

- B5** - Bleed Seat
- VS** - Vespel™ Seat
- BK** - Black Handle Color
- GR** - Green Handle Color
- RD** - Red Handle Color
- WH** - White Handle Color
- YW** - Yellow Handle Color

--- Bottom View - Porting ---



**GTC PRODUCTS**  
www.gtc-products.com

**TEESING**